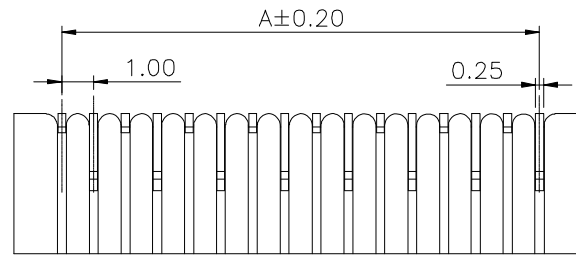
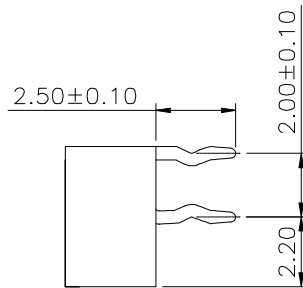


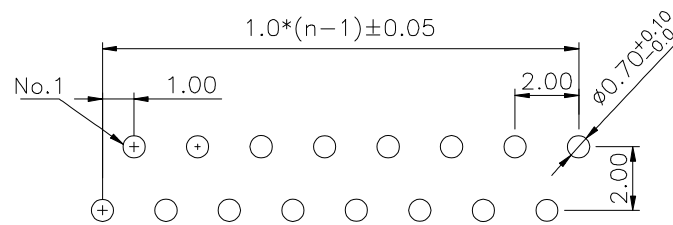
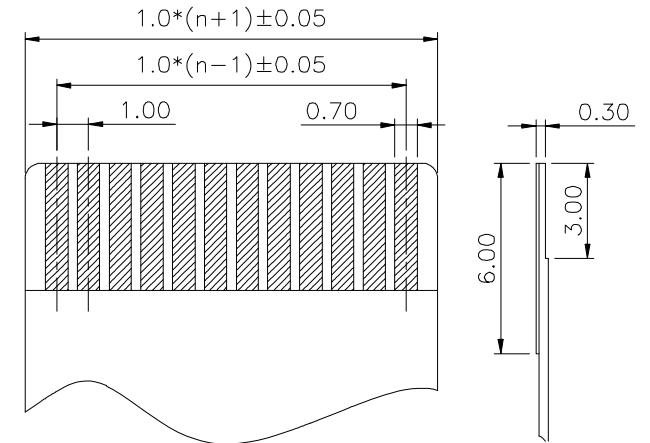
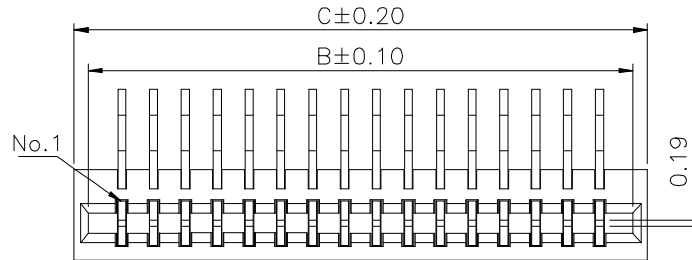
No. of CKTS	A	B	C
04	3.00	5.10	6.00
05	4.00	6.10	7.00
06	5.00	7.10	8.00
07	6.00	8.10	9.00
08	7.00	9.10	10.00
09	8.00	10.10	11.00
10	9.00	11.10	12.00
11	10.00	12.10	13.00
12	11.00	13.10	14.00
13	12.00	14.10	15.00
14	13.00	15.10	16.00
15	14.00	16.10	17.00
16	15.00	17.10	18.00
17	16.00	18.10	19.00
18	17.00	19.10	20.00
19	18.00	20.10	21.00
20	19.00	21.10	22.00
21	20.00	22.10	23.00
22	21.00	23.10	24.00
23	22.00	24.10	25.00
24	23.00	25.10	26.00
25	24.00	26.10	27.00
26	25.00	27.10	28.00
27	26.00	28.10	29.00
28	27.00	29.10	30.00
29	28.00	30.10	31.00
30	29.00	31.10	32.00
31	30.00	32.10	33.00
32	31.00	33.10	34.00
33	32.00	34.10	35.00
34	33.00	35.10	36.00
35	34.00	36.10	37.00



Specifications:  
 Rating:  
 Current Rating:0.4 Amp  
 Voltage Rating:50V AC/DC  
 Operating Temperature Range:-20°C~+80°C  
 Max Processing Temp.:260°C for 5 Seconds

Electrical:  
 Contact resistance:20m Ohm Max  
 Insulator resistance:500M ohm min.  
 Withstanding Voltage:200V AC/Minute

Material And Finish:  
 Insulator:LCP UL94V-0 Black  
 Contact:Copper Alloy,  
 Plating:Tin or Matte Tin Plated Over Nickel



Recommended PCB Layout(Tolerance:0.05)

FFC/FPC Dimension(Thickness 0.30 mm)



DESCRIPTION(內容):  
**FPC 1.0mm Right Angle Double Contact A Type (RoHS)**

PART NO:  
 (料號) FPC228N1XX-CTT-CF1337  
 DWG NO(圖號): 0010157-XX2301

DRAWN(製圖):  
**ZHANG**  
 CHECKED(確認):  
**TERESA**  
 APPROVAL(核准):  
**JOHNNY**

GENERAL TOLERANCE:  
 (公差)  
 . ±0.30 . ±3°  
 .0 ±0.20 .0 ±2°  
 .00 ±0.10 .00 ±1°  
 .000 ±0.05  
 SCALE(比例):  
**FREE**

REV: **R0**  
 UNIT: **mm**  
 SIZE: **A4**  
 SHEET: **1/2**

REV	DESCRIPTION	DATE
<b>R0</b>		<b>2024.02.27</b>
<b>R1</b>		
<b>R2</b>		
<b>R3</b>		