

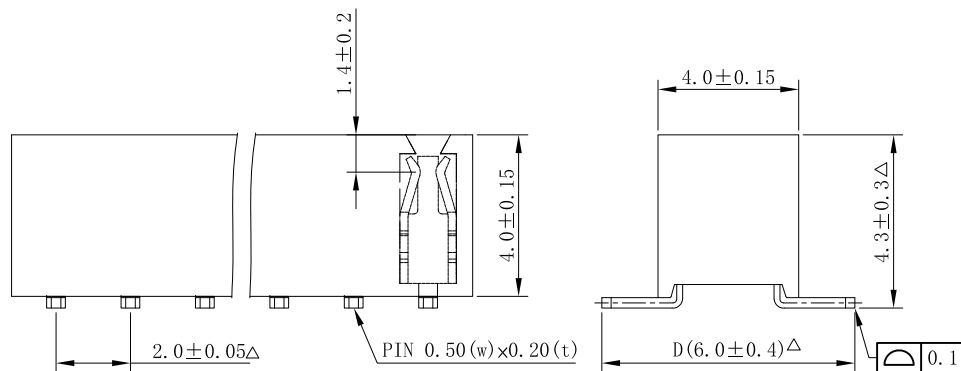
P.C.B. Hole Layout

Specifications

Current Rating	: 2 Amp
Insulator Resistance	: 3000 Megohms Min.
Contact Resistance	: 20 m ohms max.
Dielectric Withstanding	: AC 500 V
Operating Temperature	: -40 °C ~ +105°C
Soldering Temperature	: 260 °C for 3~5sec Max.
Contact Material	: Phosphor Bronze.
Insulator Material	: Polyester, UL 94V-0
Standard	: Nylon-6T

Finish: Tin, Gold or Duplex Plated
 Standard: Gold Flash all over

Note:
 Duplex plating: Gold Plated on contact area,
 Tin on solder area



Series	Connector Type	Contact Plating	Material	Pin Length	mm	Number of Contacts
F402	X	X	X	DXXX		-XX
(Female Header Dual Row) F402 (2.00 H: 4.0)	M: SMT Type	G: Gold Flash T: Tin Plated	C: LCP N: Nylon-6T NI: Nylon-9T (Standard: N)	M-D D060 (Standard: M-D060)		(04 TO 80 Contacts)
		©Duplex Plating D: Gold Flash/Tin J: Gold Flash/Tin 5U" (Standard: G)				



DESCRIPTION(内容): 2.0mm Female Header H:4.0 W:4.0 SMT (RoHS) PART NO: (料 號) F402-MG_-D060-XX DWG NO(圖號):	DRAWN(製圖): 邓文广	GENERAL TOLERANCE: (公差)	REV: A/1	REV	DESCRIPTION	DATE
	CHECKED(確認): 邓文广	.X .XXXX .XX .X ° .XXX .XX °	UNIT: mm	1	△此符號表示重點管控尺寸	2019.11.13
	APPROVAL(核准): Jimmy	SCALE(比例): 1:XX		A4	2	
				SHEET: 1/1	3	
				4		